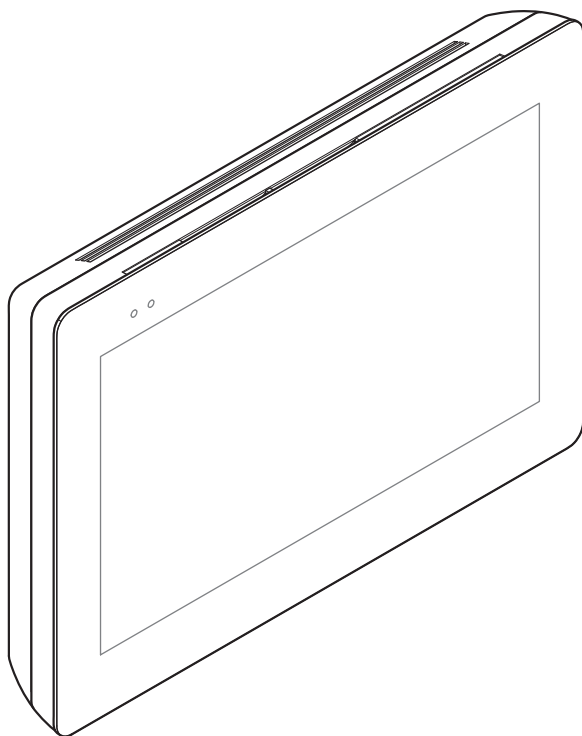




## Wifi touch-screen speaker video-intercom

FB00979-EN



**XTS 7 WH WIFI**  
**XTS 7 BK WIFI**  
**XTS 7 WH WFBF**

INSTALLATION AND CONFIGURATION MANUAL

EN English

## GENERAL PRECAUTIONS


- Read the instructions carefully before beginning the installation and carry out the actions as specified by the manufacturer.
- The installation, programming, commissioning and maintenance of the product must only be carried out by qualified technicians, properly trained in compliance with the regulations in force, including health and safety measures and the disposal of packaging.
- Before carrying out any cleaning or maintenance operation, disconnect the device from the power supply.
- The equipment must be destined solely for the use for which it was expressly designed.
- The manufacturer declines all liability for any damage as a result of improper, incorrect or unreasonable use.

### Cautionary issues on remotely controlling the device

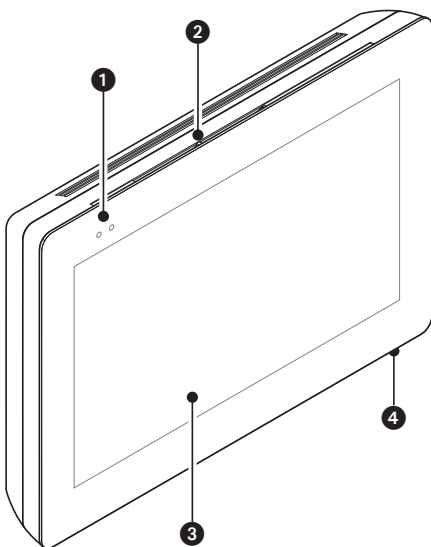
Some features of the system may be managed by smartphones and tablet PCs, by using the corresponding apps. For the system to be remotely controlled, the device must be connected to a home WiFi network with internet access.

This type of system functions properly when:

- the device receives a high-quality WiFi signal
- there is a permanent connection established by your contract with the internet service provider. The connection must support the data flow generated by the device and support VoIP,
- the smartphone or table PC on which the corresponding app is running does not block any VoIP apps.

 remotely controlling the device via app means that the data traffic consumption takes place over the home network of the smartphone or table PC. the ensuing cost of said consumption is borne by the user.

## DESCRIPTION



Full-touch speaker video-intercom for the X1 wall-hung system.

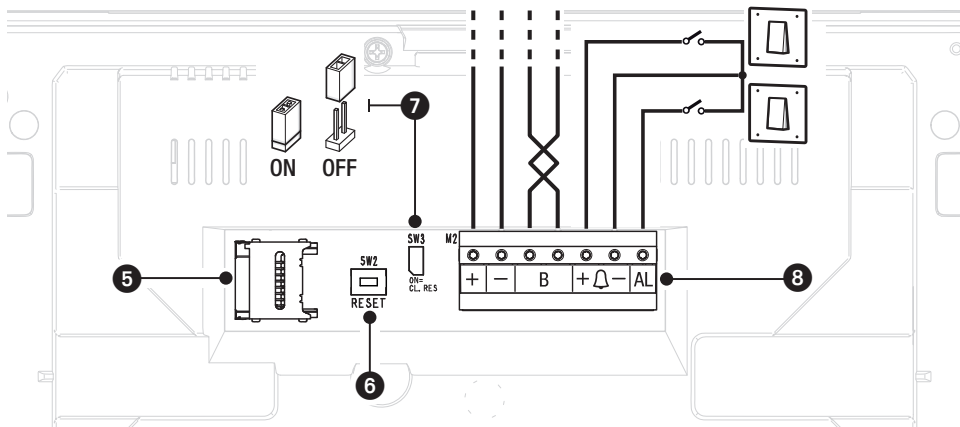
### Description of parts

#### Front view

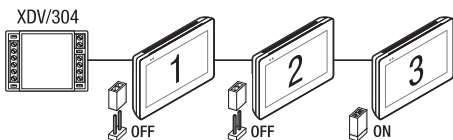
- ① Signaling LED
- ② Loudspeaker
- ③ Touch-screen display
- ④ Microphone.

#### Rear view

- ⑤ Housing for the not-included Micro SD card (for future use).
- ⑥ Reset button. When pressed it reboots the device; this operation DOES NOT require any deleting of programming.



**7** End-of-line resistor. Set the bridge only on the last of the line's devices.



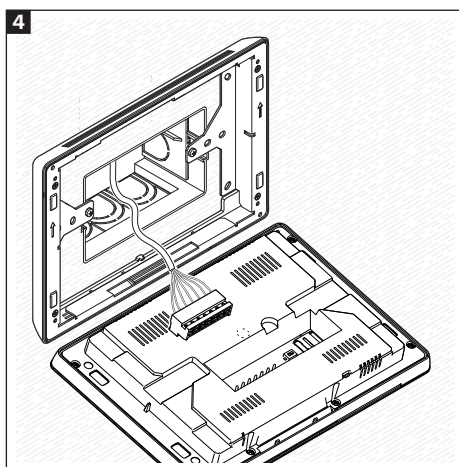
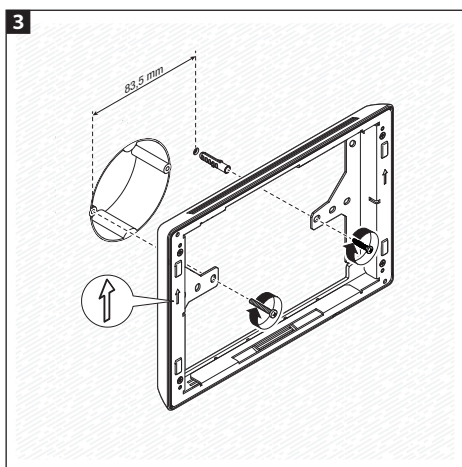
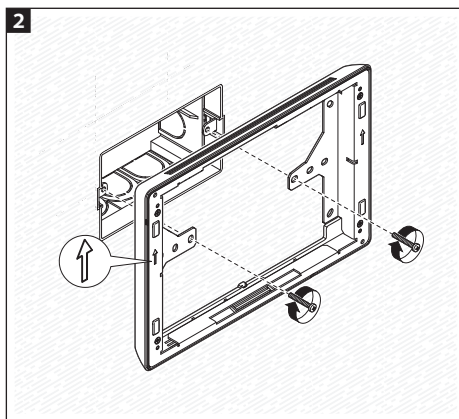
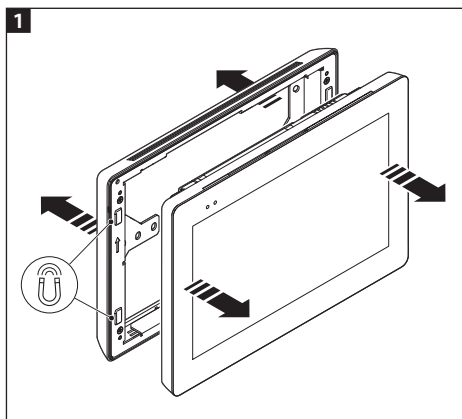
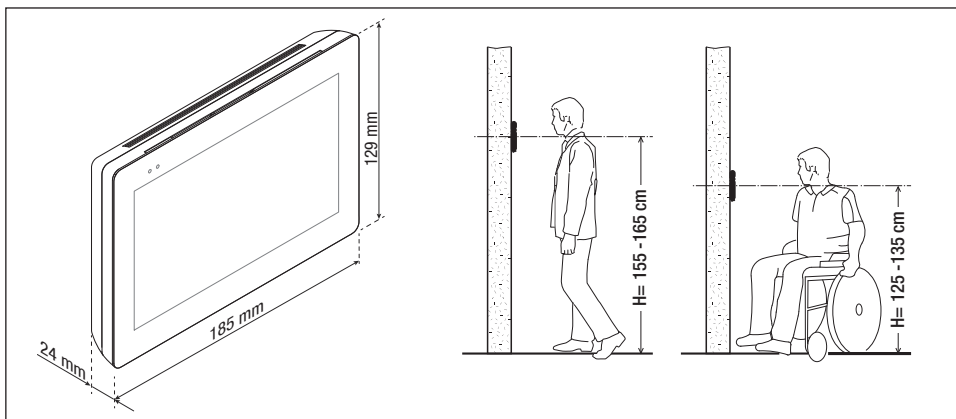
## 8 Function of terminals

- +  - Local power supply input
- B BUS-line input
- +  - Landing call input
- AL Alarm input

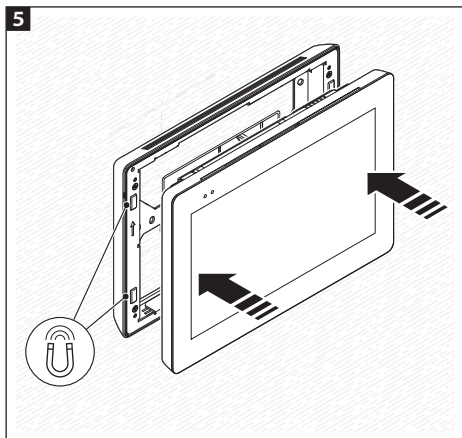
## Technical data


Type	XTS 7 WIFI
local power supply (V DC)	14 to 18
Maximum draw (mA)	520
Consumption in stand-by mode (mA)	360
Stocking temperature °C	-25 to +70
Operating temperature °C	0 to +40
Protection rating (IP)	30
Capacitive TFT Touch-screen Display (pixels)	1024 x 600
Standard wireless (IEEE)	802.11b, 802.11g, 802.11n
Wireless frequency filed (MHz)	2.412 - 2.472
Maximum transmission strength (dBm)	16
Wireless security	WPA/WPA2-PSK, WEP

# INSTALLING



5

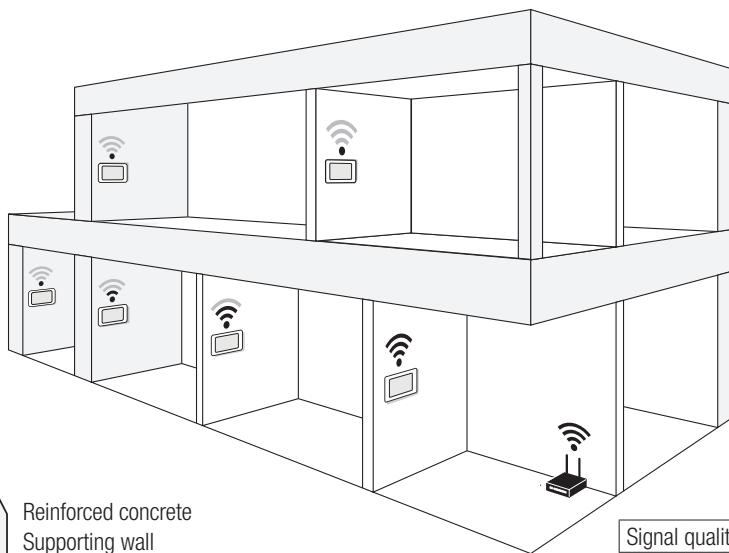



 to make the device's installation more solid, use the supplied screws and dowels to fasten the frame to the wall.

### Notes on installing indoor receivers connected to the WiFi network





Install the indoor receiver: away from any metal objects that may interfere with the signal, or from any devices that generate magnetic fields. Install it in the same room as the router or have the least possible number of walls separating the router and the indoor receiver.

If the place chosen for installing the indoor receiver is not easily reached by a sufficiently intense WiFi signal, we suggest installing a signal regeneration processor which is easily bought on the open market.



 Reinforced concrete  
Supporting wall  
Stone wall

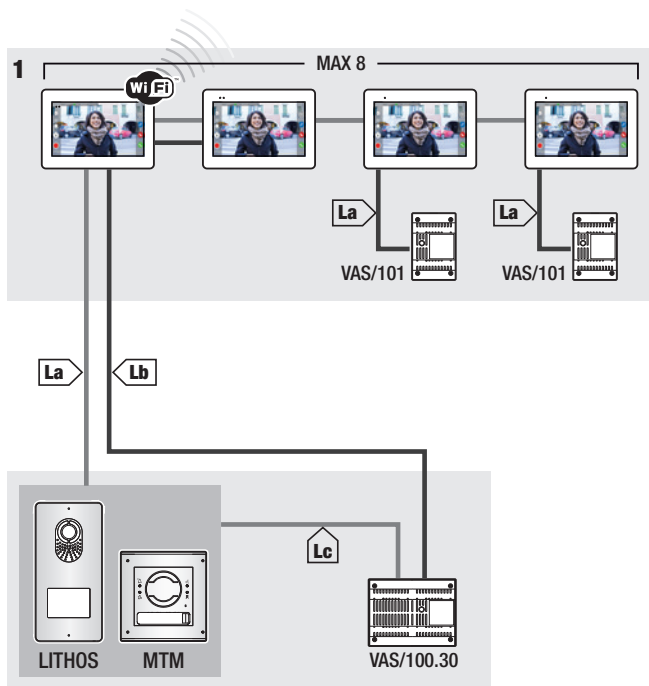
 Wooden wall  
Plasterboard wall  
Light-brick wall

Signal quality	
	Optimal
	Good
	Sufficient
	Insufficient

## Examples of installation

### Installing four indoor receivers in one home.


the WiFi connection need only be active on one indoor receiver. The Apps are associated to the indoor receiver that has an active Wifi connection.

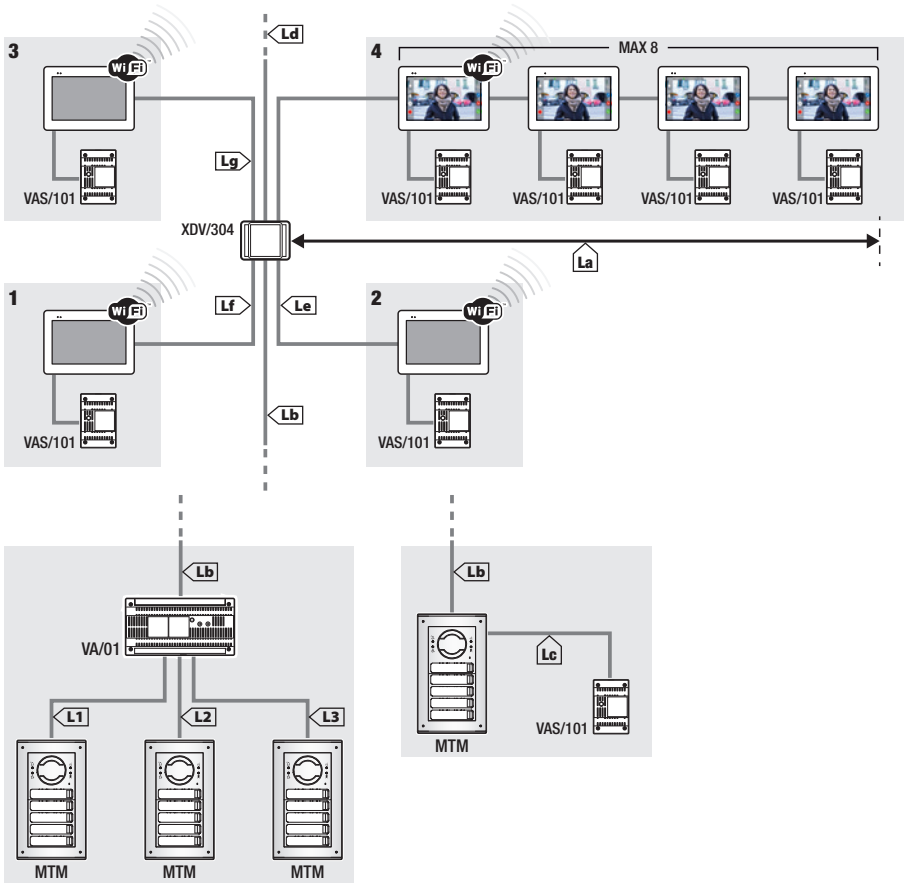



	VCM/1D	VCM/2D	UTP/CAT 5	2x1.5mm <sup>2</sup>
La	≤ 100 m	≤ 100 m	≤ 100 m	–
Lb	–	≤ 100 m	≤ 50m *	–
Lc	≤ 75 m	–	–	≤ 100 m

\* Use a pair of wires for each single power-supply conductor.

## Device installed in several homes with different types of power-supply units.


 In a home where several indoor receivers are installed, the WiFi connection need only be active on one of the receivers. The Apps are associated to the indoor receiver that has an active Wifi connection.

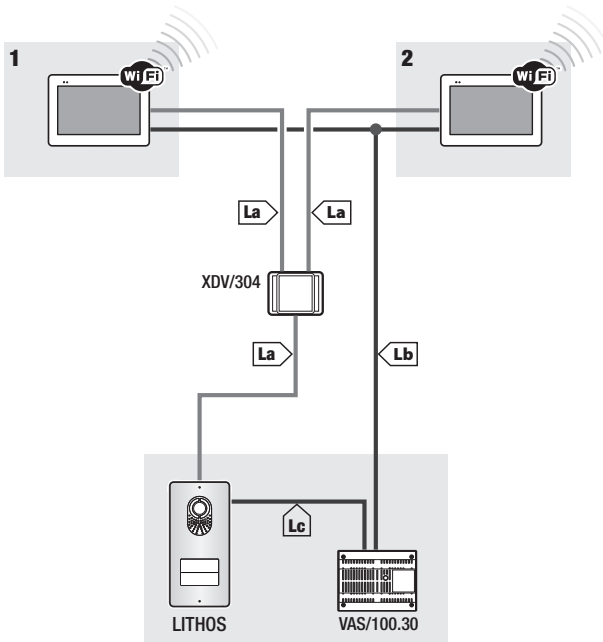



	VCM/1D	VCM/2D	UTP/CAT 5	2x1.5mm <sup>2</sup>
La+Lb	≤100 m	–	≤100 m	–
Lc	≤75 m	–	–	≤100 m
L1, L2, L3	–	≤100 m	–	–
La + Lb + L1 (L2, L3)	≤150 m			
La + Lb + Lc + Ld + Le + Lf + Lg + (L1, L2, L3)*	≤600 m			

\*In the count, only consider the longest distance among those measured from the indoor receiver to the power supply unit.

## Installed at a duplex home, where each home has a device

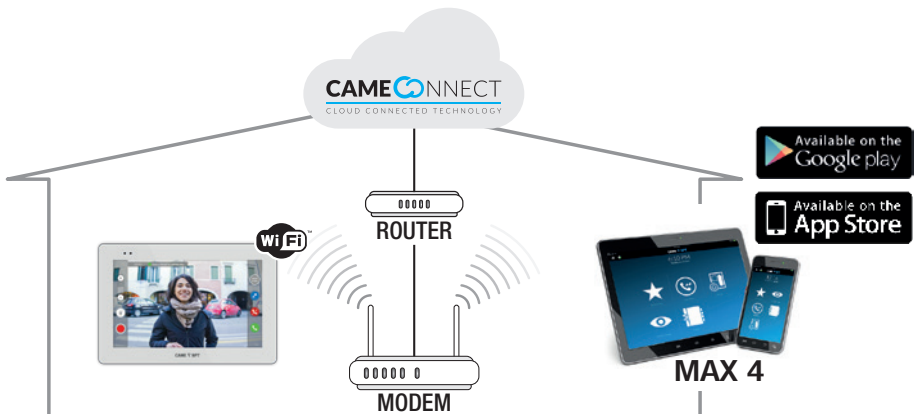
 the apps are associated to that indoor receiver that has the active WiFi connection.



	VCM/1D	VCM/2D	UTP/CAT 5	2x1.5mm <sup>2</sup>
Ms	≤ 100	≤ m 100	≤ m 100	–
Lb	–	≤ m 100	≤ m 50*	–
Lc	≤ m 75	–	–	≤ m 100

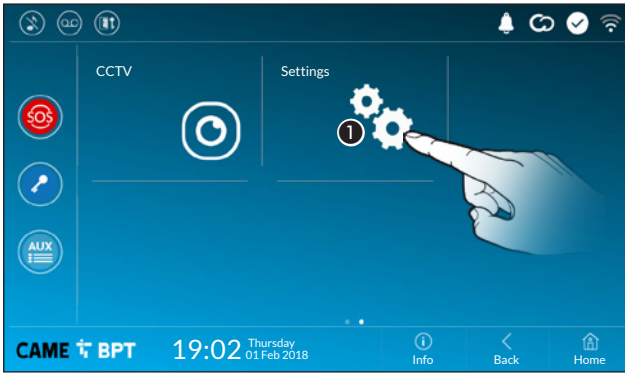
\* Use a pair of wires for each single power-supply conductor.

## Greatest number of devices that can be connected to the indoor receiver that has the active WiFi connection



# COMMISSIONING

Once the cables are laid and connected, program the essential function for operating the device.




Scroll the available pages.  
Select item 1.



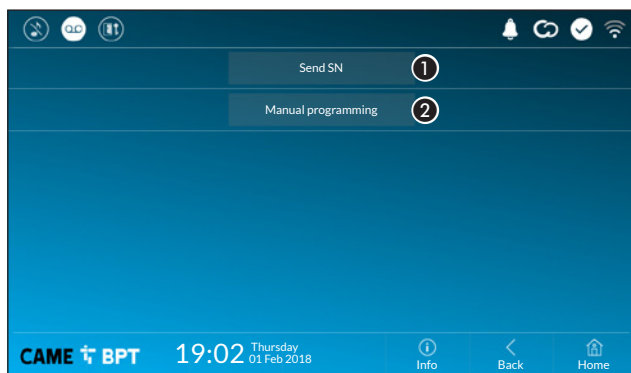
Scroll the list.  
Select menu item 2.

## Advanced settings




 this section requires specific know-how in operating the video-intercom system. Wrong settings may cause partial or even total malfunctions; that is why the editing of some parameters is allowed only after entering the installer password; the default password is 112233).

## Configuration X2



1 This button is for sending the SN (serial number) to the Pcs/Xip software during the programming steps.


2 This button takes you to manual programming of the device.

 the complete manual programming procedure for the call is printed in the literature that is issued with the indoor receivers.

## Network



3 This button is for enabling WiFi communication.

This  icon shows that the WiFi connection is active, enabling the network-settings sections below.

4 Lets you choose the type of address from:

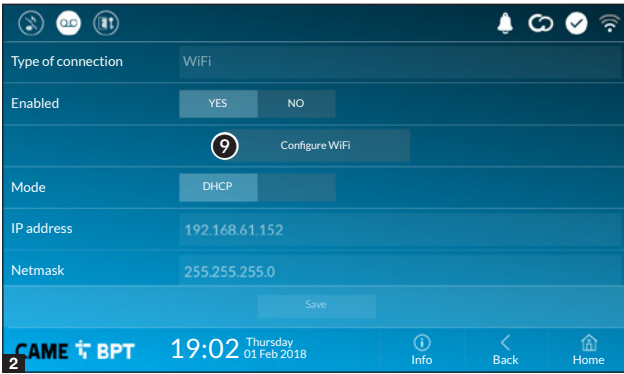
### DHCP

The device's IP address is assigned by the DHCP server; if there are no special needs, this mode lets you continue with the settings without adding any additional data.

### Static

The device's IP address is manually assigned.

- 5 If you have chosen a static IP address, enter the device's IP, which must belong to the same subnet as that of the router and of the other connected devices.
- 6 If the netmask is different from the default one, provide the proper netmask.
- 7 Provide the default gateway for your network.
- 8 Enter a valid DNS address to have the CAMEConnect connection (for example, 8.8.8.8).



9 Once you have chosen the connection mode, the button is for selecting and setting up a Wifi network.

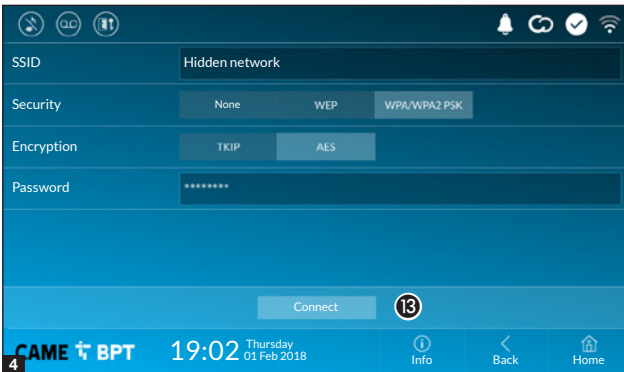
Every 30 seconds the device scans for available networks.



3 The page shows any detected networks; to manually scan for networks, touch this button 10.

Select a network to connect to. If the network is unprotected the connection will be immediate.

If the network is protected, enter the password for the WiFi network to get access.



To save the configuration touch this button 12.

To connect to a WiFi network with a hidden SSID, touch this button 11.

On the page provided you can enter an SSID, that is, network name, type of security, encryption and password; when required.

To connect, touch this button 13.

To save this setting touch this button 12.

## CAME Connect

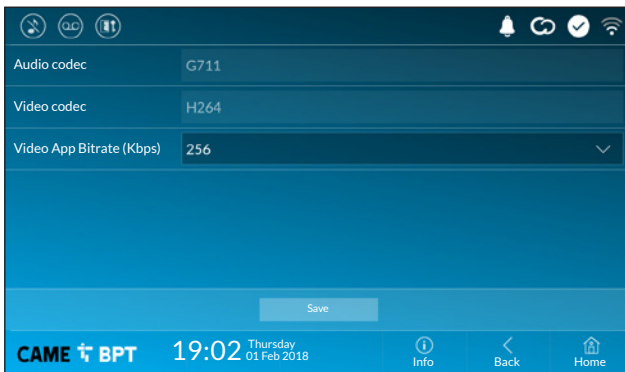


- 1 Device's univocal code.
- 2 For enabling or disabling the VoIP remote control of the video-intercom call.
- 3 URL of the service for remote calls (the default one is xip01.cameconnect.net)
- 4 It shows the state of the connection.

The factory settings require that the connection to CAME Connect be enabled.

the CAME Connect connection must be active to receive calls over the App.

## Multimedia

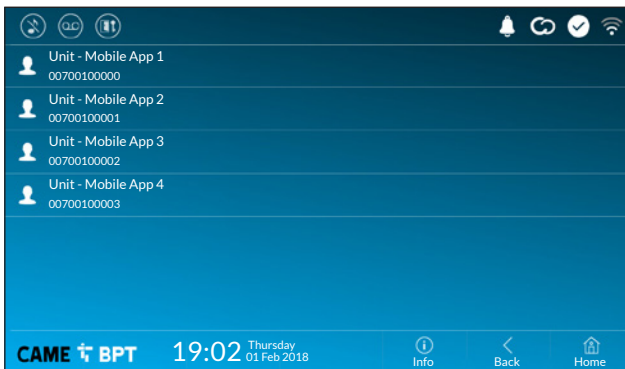


This window lets you configure the maximum BITRATE that the device can handle, while choosing among the available values.

The greater the BITRATE values, the better the video quality, but also the greater the data bandwidth occupied in UPLINK.

If the video on the App is not fluid or deteriorated, set the lower BITRATE values.

## Credentials

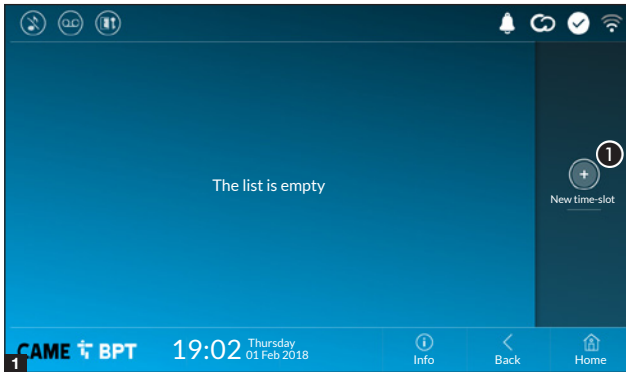


The window lets you view the credentials of the four users enabled to connect to the device via mobile devices.

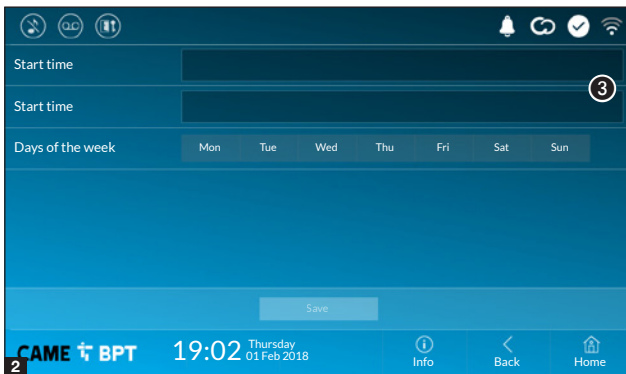
Touch the user you want to access the screen that lets you assign or edit an access password.

## Automatic door opener

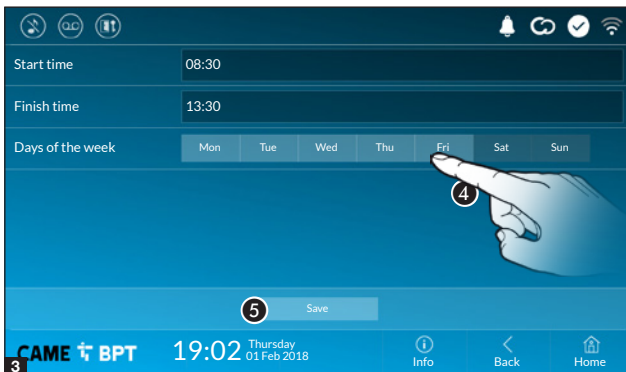
This function, which is especially useful for businesses, lets you automatically open the entrance once the call-button is pressed on the entry panel. The activation of this function can be programmed to schedule time slots and days of the week.



1 Touch the button to add a new time slot.



3 Touch the empty sections and in the pop-up window set the start and finish time of the time-slot for activating the function.

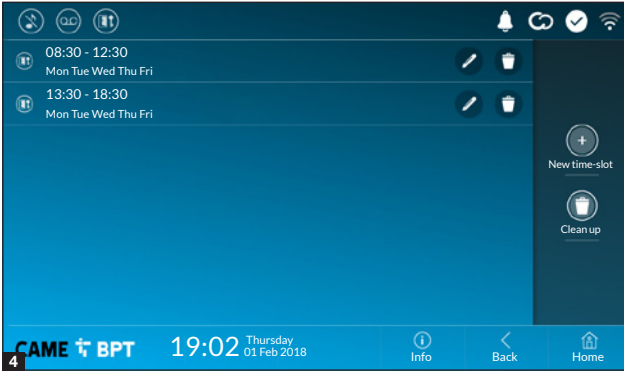


4 Touch the days of the week during which the time-slot needs to be active.

5 Touch this button to save the time-slot you have just created.

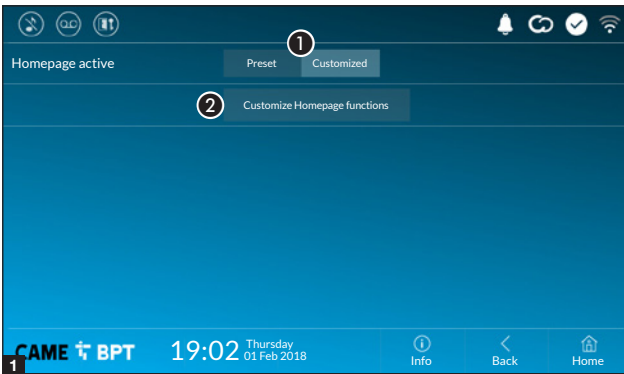
Create other new time-slots and touch the Save button to add them to the list.

Touch the **Back** button to view the list of time-slots that you have created.

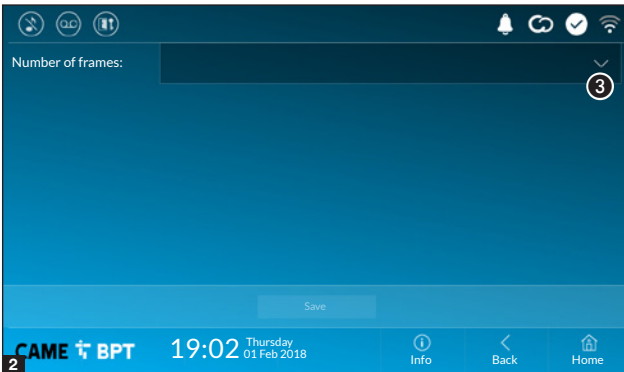


- ✎ For editing the selected element.
  - 🗑 For eliminating the selected element.
- Touch the **Back** button to return to the list of configurable parameters.

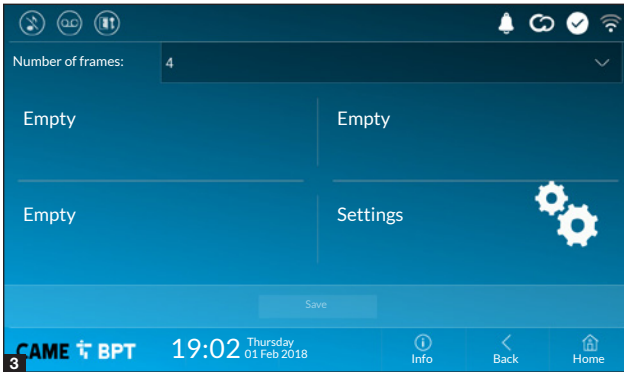
## Configuring the user interface



- This section is for customizing the appearance of the homepage.
- 1 Select the type of homepage that you wish to see.
  - 2 Touch the button to create a customized homepage.



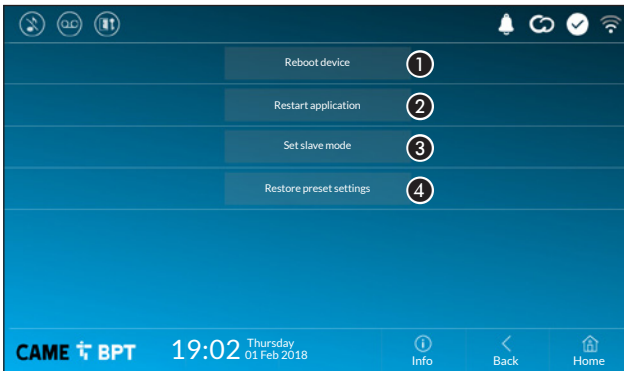
- 3 From the drop down menu select the total number of sections that will make up the main page.
  - 📖 Each page may contain up to six sections; the last one is always the configuration section.



Touch each of the empty sections and use the drop-down menu to select the content that you want to assign to the section.

Save the settings by touching Save.

## Maintenance



(administrator password required; the default password is 112233).

① Touch the button to reboot the indoor receiver.

② Touch the button to reboot only the application that runs the indoor receiver.

📖 The factory settings require that the indoor receiver operate in "master" mode. If the system features several indoor receivers, that answer the same call within a home, only one of these must operate in "master" mode. The others must operate in "slave" mode.

③ Touch the button to set the indoor receiver to "slave" mode.

④ Touch the button to return all the local settings to the default factory settings.

**Pertinent Regulations.** This product complies with the law.

**Decommissioning and disposal.** Dispose of the packaging and the device at the end of its life cycle responsibly, in compliance with the laws in force in the country where the product is used. The recyclable components are marked with a symbol and the material's ID marker.

THE DATA PRESENTED IN THIS MANUAL MAY BE CHANGED, AT ANY TIME, AND WITHOUT NOTICE. MEASUREMENTS, UNLESS OTHERWISE STATED, ARE IN MILLIMETERS.



[CAME.COM](http://CAME.COM)

**CAME S.P.A.**

Via Martiri Della Libertà, 15  
31030 Dosson di Casier - Treviso - Italy  
tel. (+39) 0422 4940 - fax. (+39) 0422 4941